

- NMEA2000 Versatile Display Panel
- 4,3" TFT Color display (480*272)
- Fully Configurable Display
- Capacitive Multi-Touch Technology
- Master (MCU) Function
- PC Interface Via USB Mini Socket
- Optional Integral CAN-bus Terminator
- Compatible with EmpirBus NXT System
- Light Sensor Controlled Backlight
- Integrated Buzzer for Operator Feedback / Alarm Warning

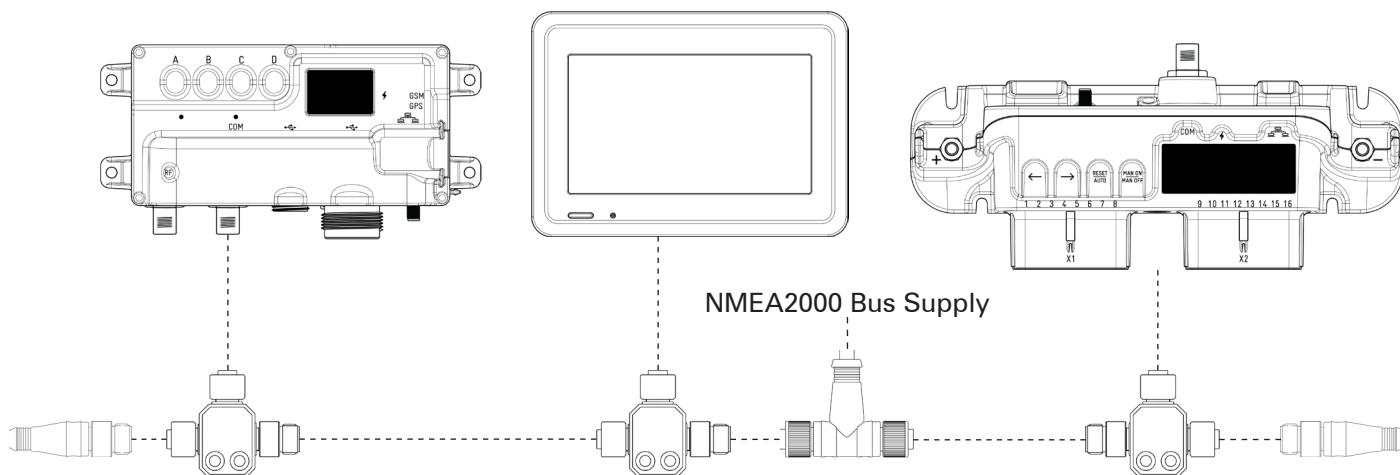


Description

The Display Panel DP43 is a digital component of the EmpirBus NXT control, monitoring and distribution system. DP43 is multi-functional and may be deployed to provide both control stimulus to the system via the touch screen interface and to display "true" status information. An integrated audible warning device provides both operator feedback on touch screen operation and should an alarm condition arise an audible warning. The display is fully programmable thus allowing specific screen layouts to reflect the exact requirement including, text, symbols, logos and colours. Multiple screen layouts may be defined and selected to display for example tank levels, battery monitoring, onboard system status, burglar alarm with pin code protection etc.

The display is designed for internal use and operates from -20 to +50C. For night time operation the back lighting may be dimmed appropriately for specific conditions either individually or in groups of panels. DP43 may also be used as a Master (MCU) Unit in the NXT system and a USB connector facilitates connection to an external computer for configuration. Physical installation is simply achieved using the supplied template and it may be fitted to any flat surface. The electrical connections to the system are made via the Male Micro Connector and DP43 has an optional integral termination resistor. All interfaces are galvanically isolated to ensure integrity with other system devices. For volume users the Display panel is available in a choice of colors and with the customer logo.

Connection example NMEA2000



Specifications

Communication: CAN-bus NMEA 2000

Power supply: Power consumption
max/average 200mA/0,25mA
Supply voltage 9–32VDC

Connector:

NMEA 2000 Micro 5pin M12 Male

USB Slave Mini USB

Ambient temp: -20 to +50 degrees Celsius

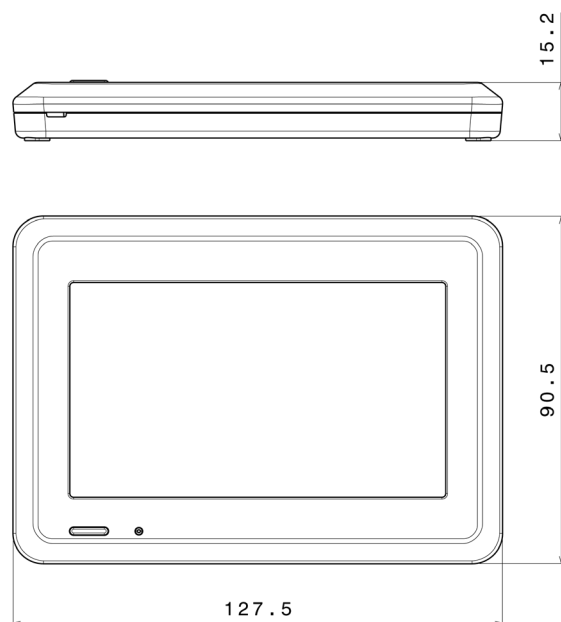
Enclosure: Ingress Protection IP21

Dimensions: 127,5x90,5x15,2 mm

Regulation comp: ABYC, RoHS

Weight: 0,3 kg

Dimensions



Articles

2041211 DP-43-C Display Panel

Version.2011.11.11

Trigentic AB
Kasenabbvägen 65
SE-451 50 Uddevalla
Sweden

Support
Phone: +46 522-44 38 88
E-mail: support@empirbus.com
Web: www.empirbus.com

MEMBER
ABYC[®]
Setting Standards for Safer Boating